

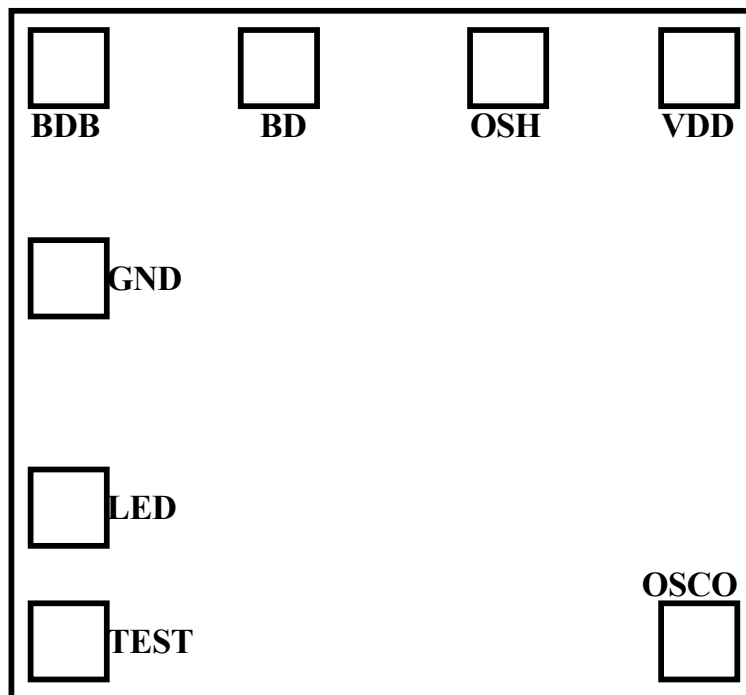
---

## 64 Notes Melody with LED

### Feature :

- Wide operating voltage range: 2.4v -5.0v .
- 64 notes memory .
- Built-in RC oscillator .
- Operating modes: One-Shot , Coincidence .
- Direct drive with LED asynchronized blinking function .
- Suited for CDS usage .

### Pin configuration:



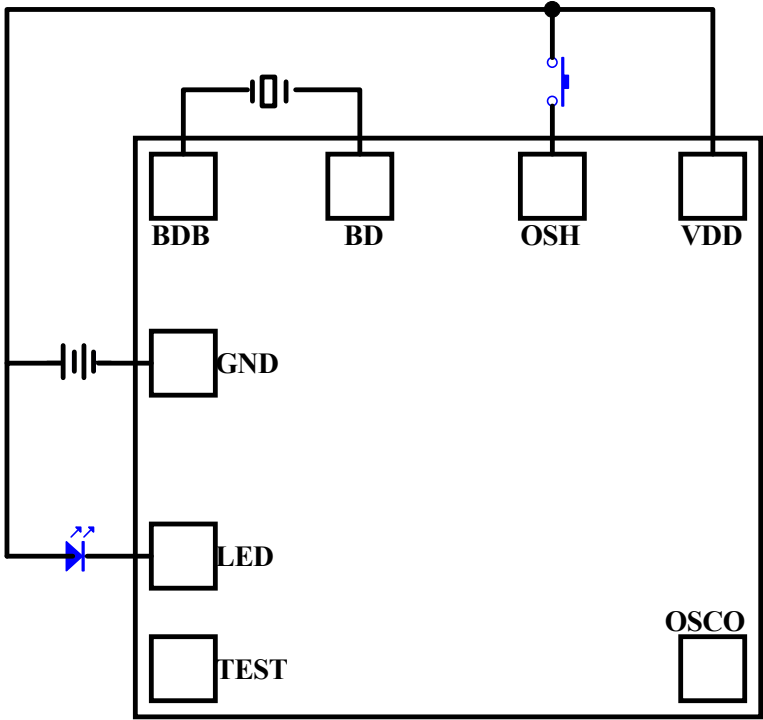
### Pin description:

No	Symbol	Description	No	Symbol	Description
1	BDB	Buzzer output pin	6	LED	Led output
2	BD	Buzzer output pin	7	OSCO	Oscillator output
3	OSH	Trig key	8	TEST	Test pin
4	VDD	Positive power supply			
5	GND	Negative power supply			

**Electrical Characteristic :**

Parameter	Symbol	Min	Typ	Max	Unit	Condition
Operating Voltage	Vdd	2.4	3	5	V	
Operating Current	Iop		<100		uA	
LED Sink Current	I <sub>LED</sub>	20			mA	
OSC Frequency	Fosc	130	150	170	KHz	
Standby Current	Istb			5	uA	No load
BDB drive current	Idri	10			mA	V <sub>OH</sub> =2.0V
BDB sink current	Isink	10			mA	V <sub>OL</sub> =0.7V

**Application Circuit :**



\* Substrate to VDD